

# project



**Kitchen Sink Mixer**  
Model: UH00185



**Bidet Mixer**  
Model: UH00522



**Basin Mixer**  
Model: UH00022



**Shower Mixer**  
Model: UH00425

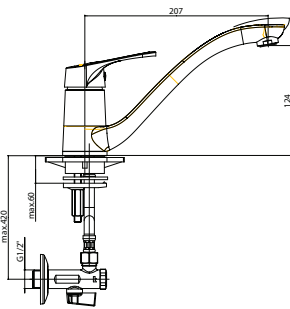


**Bath Mixer**  
Model: UH00325

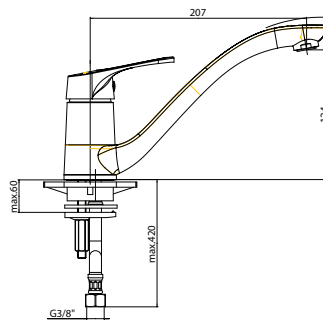
# Sanitary Mixer PROJECT

kitchen mixer

Datasheet  
PROJECT  
Valid 1108



UH00184



UH00185

Model	Colour	Contents of package
UH00184	Chrome	ball valves
UH00185	Chrome	/

## Contents

Body:	solid, single casted Brass, acc. DIN EN 1982, Nickel /Chrome Plate finish
Cartridge:	Ø 35mm
Handle:	zamak 0410, Chrome plated
Sealing elements:	rubber EPDM
Connecting hose:	Flexible connecting hose for domestic tap fittings, G3/8x450
Mounting hole:	Ø 35mm

## Construction

Recommendable pressure:	3 up to 5 bar
Maximum pressure:	up to 8 bar
Minimum pressure:	over 0,5 bar
Recommendable temp.:	5°C - 65°C
Maximum temperature:	80°C

## Specification

We reserve the right to make modifications necessitated by technical progress.

Sanitary mixer is used in the high pressure sanitary systems.

## Application

You have to wash out all pipes before assembly.

Connect sanitary mixer and primary water pipe with flexible hose. Remove aerator and rotate mixer handle in totally open position.

Slowly open pipe valves and manipulate with mixer handle in all positions.

We recommend to wash out mixer at least one hour. Repairment is only to be executed by a performed trade person.

We recommend to reduce water pressure over 5 bar with suitable pressure reducer.

## Assembly and maintenance

All details contained in this brochure appertain to that available at the time of printing and serve as information. We reserve the right to make changes in the event of technical advancements. The illustrations are understood to be symbolic representations and may therefore vary visually from the actual products. Any colour variations are dependent upon the printing technology used. Products may also vary according to the country. We reserve the right to make changes to technical specifications and functions. Please contact your nearest branch of HERZ with any questions.

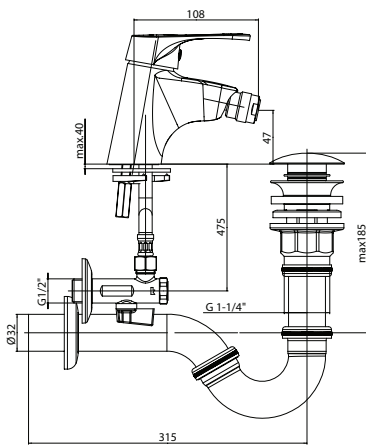
# Sanitary Mixer PROJECT

bide mixer

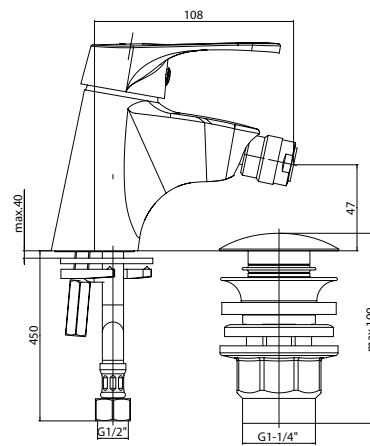
Datasheet

**PROJECT**

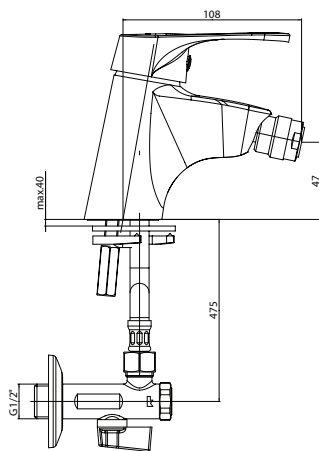
Valid 1108



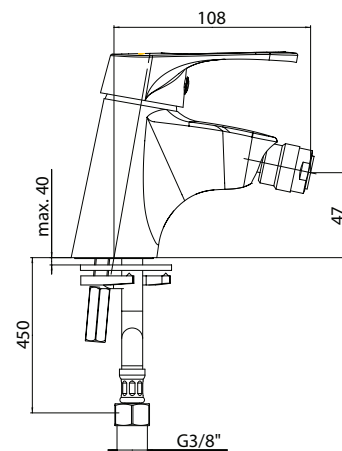
UH00519



UH00520



UH00521



UH00522

We reserve the right to make modifications necessitated by technical progress.

Model	Colour	Contents of package
UH00519	Chrome	basin trap set, ball valve
UH00520	Chrome	basin trap
UH00521	Chrome	ball valve
UH00522	Chrome	/

## Contents

Body:	solid, single casted Brass, acc. DIN EN 1982, Nickel /Chrome Plate finish
Cartridge:	Ø 35mm
Handle:	zamak 0410, Chrome plated
Sealing elements:	rubber EPDM
Connecting hose:	Flexible connecting hose for domestic tap fittings, G3/8x450
Mounting hole:	Ø 35mm

## Construction

Recommendable pressure:	3 up to 5 bar
Maximum pressure:	up to 8 bar
Minimum pressure:	over 0,5 bar
Recommendable temp.:	5°C - 65°C
Maximum temperature:	80°C

## Specification

Sanitary mixer is used in the high pressure sanitary systems.

## Application

You have to wash out all pipes before assembly.

Connect sanitary mixer and primary water pipe with flexible hose. Remove aerator and rotate mixer handle in totally open position. Slowly open pipe valves and manipulate with mixer handle in all positions.

We recommend to wash out mixer at least one hour. Repairment is only to be executed by a performed trade person.

We recommend to reduce water pressure over 5 bar with suitable pressure reducer.

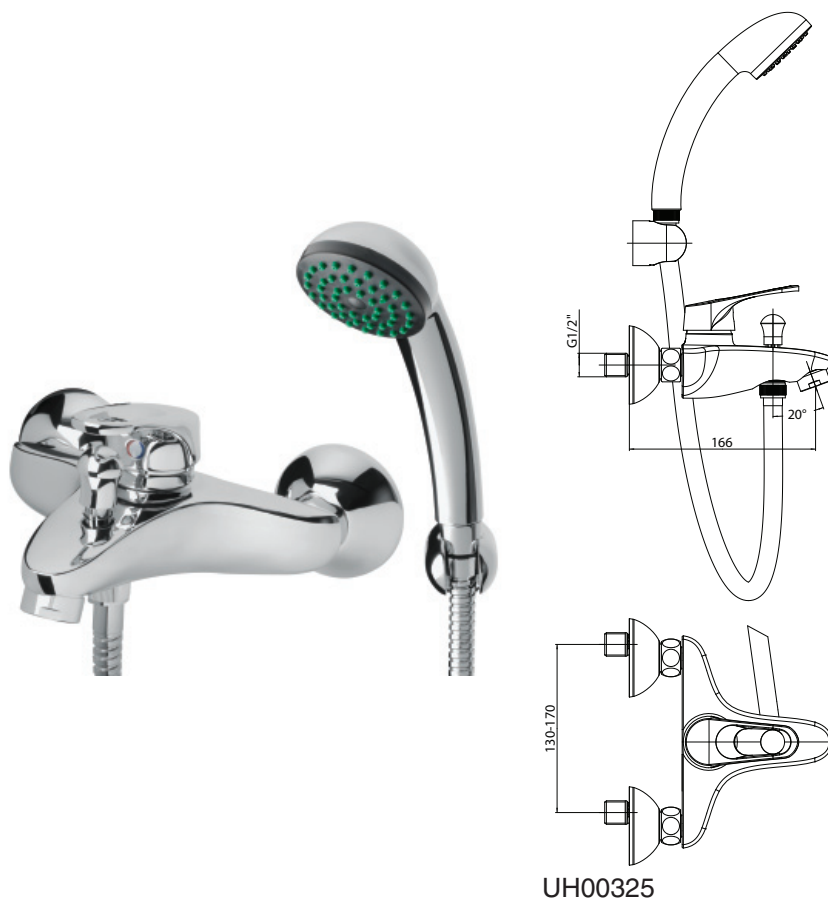
## Assembly and maintenance

All details contained in this brochure appertain to that available at the time of printing and serve as information. We reserve the right to make changes in the event of technical advancements. The illustrations are understood to be symbolic representations and may therefore vary visually from the actual products. Any colour variations are dependent upon the printing technology used. Products may also vary according to the country. We reserve the right to make changes to technical specifications and functions. Please contact your nearest branch of HERZ with any questions.

# Sanitary Mixer PROJECT

bath shower mixer

Datasheet  
PROJECT  
Valid 1108



UH00325

Model	Colour	Content of package
UH00325	Chrome	Console, hose

## Contents

Body:	solid, single casted Brass, acc. DIN EN 1982, Nickel /Chrome Plate finish
Cartridge:	Ø 35mm
Handle:	zamak 0410, Chrome plated
Sealing elements:	rubber EPDM
Diverter:	Automatic diverter
Hose:	Flexible hose L=1500mm

## Construction

Recommendable pressure:	3 up to 5 bar
Maximum pressure:	up to 8 bar
Minimum pressure:	over 0,5 bar
Recommendable temp.:	5°C - 65°C
Maximum temperature:	80°C

## Specification

We reserve the right to make modifications necessitated by technical progress.

Sanitary mixer is used in the high pressure sanitary systems.

## Application

You have to wash out all pipes before assembly.

Mount sanitary mixer on primary water pipe. Remove aerator and rotate mixer handle in totally open position.

Slowly open pipe valves and manipulate with mixer handle in all positions.

We recommend to wash out mixer at least one hour. Repairment is only to be executed by a performed trade person.

We recommend to reduce water pressure over 5 bar with suitable pressure reducer.

## Assembly and maintenance

All details contained in this brochure appertain to that available at the time of printing and serve as information. We reserve the right to make changes in the event of technical advancements. The illustrations are understood to be symbolic representations and may therefore vary visually from the actual products. Any colour variations are dependent upon the printing technology used. Products may also vary according to the country. We reserve the right to make changes to technical specifications and functions. Please contact your nearest branch of HERZ with any questions.

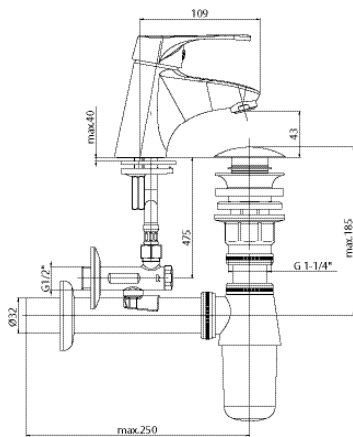
# Sanitary Mixer PROJECT

basin mixer

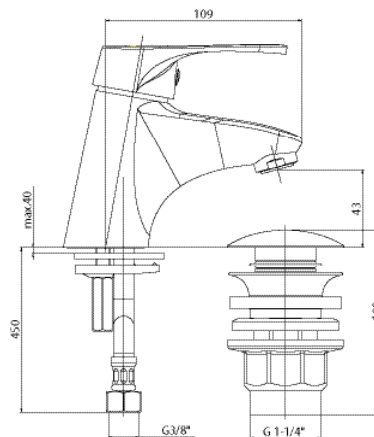
Datasheet

**PROJECT**

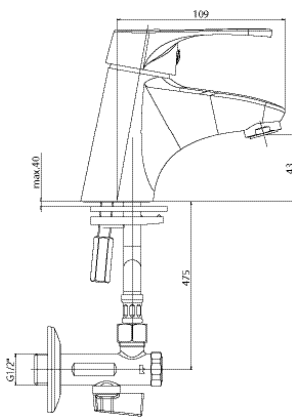
Valid 1108



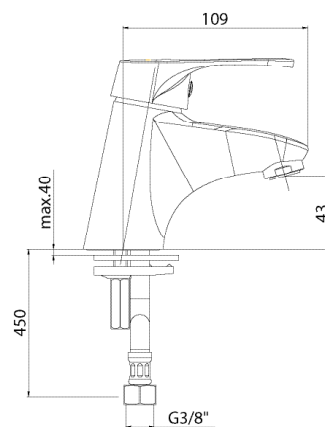
UH00019



UH00020



UH00021



UH00022

We reserve the right to make modifications necessitated by technical progress.



Model	Colour	Contents of package
UH00019	Chrome	basin trap set, ball valve
UH00020	Chrome	basin trap
UH00021	Chrome	ball valve
UH00022	Chrome	/

## Contents

Body:	solid, single casted Brass, acc. DIN EN 1982, Nickel /Chrome Plate finish
Cartridge:	Ø 35mm
Handle:	zamak 0410, Chrome plated
Sealing elements:	rubber EPDM
Connecting hose:	Flexible connecting hose for domestic tap fittings, G3/8x450
Mounting hole:	Ø 35mm

## Construction

Recommendable pressure:	3 up to 5 bar
Maximum pressure:	up to 8 bar
Minimum pressure:	over 0,5 bar
Recommendable temp.:	5°C - 65°C
Maximum temperature:	80°C

## Specification

Sanitary mixer is used in the high pressure sanitary systems.

## Application

You have to wash out all pipes before assembly.

Connect sanitary mixer and primary water pipe with flexible hose. Remove aerator and rotate mixer handle in totally open position. Slowly open pipe valves and manipulate with mixer handle in all positions.

We recommend to wash out mixer at least one hour. Repairment is only to be executed by a performed trade person.

We recommend to reduce water pressure over 5 bar with suitable pressure reducer.

## Assembly and maintenance

All details contained in this brochure appertain to that available at the time of printing and serve as information. We reserve the right to make changes in the event of technical advancements. The illustrations are understood to be symbolic representations and may therefore vary visually from the actual products. Any colour variations are dependent upon the printing technology used. Products may also vary according to the country. We reserve the right to make changes to technical specifications and functions. Please contact your nearest branch of HERZ with any questions.

# Sanitary Mixer PROJECT

shower mixer

Datasheet  
**PROJECT**  
Valid 1108



UH00425

Model	Colour	Contents of package
UH00425	Chrome	Console, hose

## Contents

Body:	solid, single casted Brass, acc. DIN EN 1982, Nickel /Chrome Plate finish
Cartridge:	Ø 35mm
Handle:	zamak 0410, Chrome plated
Sealing elements:	rubber EPDM
Diverter:	Automatic diverter
Hose:	Flexible hose L=1500mm

## Construction

Recommendable pressure:	3 up to 5 bar
Maximum pressure:	up to 8 bar
Minimum pressure:	over 0,5 bar
Recommendable temp.:	5°C - 65°C
Maximum temperature:	80°C

## Specification

We reserve the right to make modifications necessitated by technical progress.

Sanitary mixer is used in the high pressure sanitary systems.

## Application

You have to wash out all pipes before assembly.

Mount sanitary mixer on primary water pipe. Remove aerator and rotate mixer handle in totally open position.

Slowly open pipe valves and manipulate with mixer handle in all positions.

We recommend to wash out mixer at least one hour. Repairment is only to be executed by a performed trade person.

We recommend to reduce water pressure over 5 bar with suitable pressure reducer.

## Assembly and maintenance

All details contained in this brochure appertain to that available at the time of printing and serve as information. We reserve the right to make changes in the event of technical advancements. The illustrations are understood to be symbolic representations and may therefore vary visually from the actual products. Any colour variations are dependent upon the printing technology used. Products may also vary according to the country. We reserve the right to make changes to technical specifications and functions. Please contact your nearest branch of HERZ with any questions.