

harmony



Sanitary bath mixer
Model: UH00394



Sanitary shower mixer
Model: UH00491



Sanitary basin mixer
Model: UH00093



Sanitary bidet mixer
Model: UH00594



Kitchen sink mixer
Model: UH00192

Kitchen wall mixer - outlet 120 mm
Model: UH00292

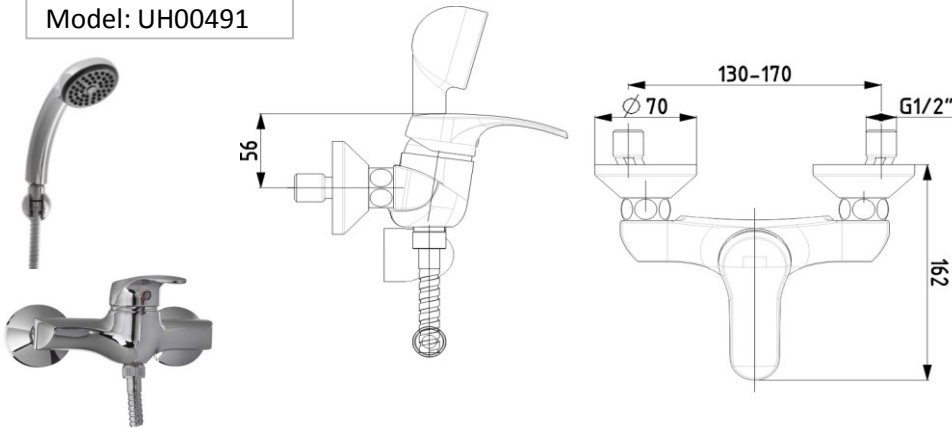


Kitchen wall mixer - outlet 200 mm
Model: UH00291

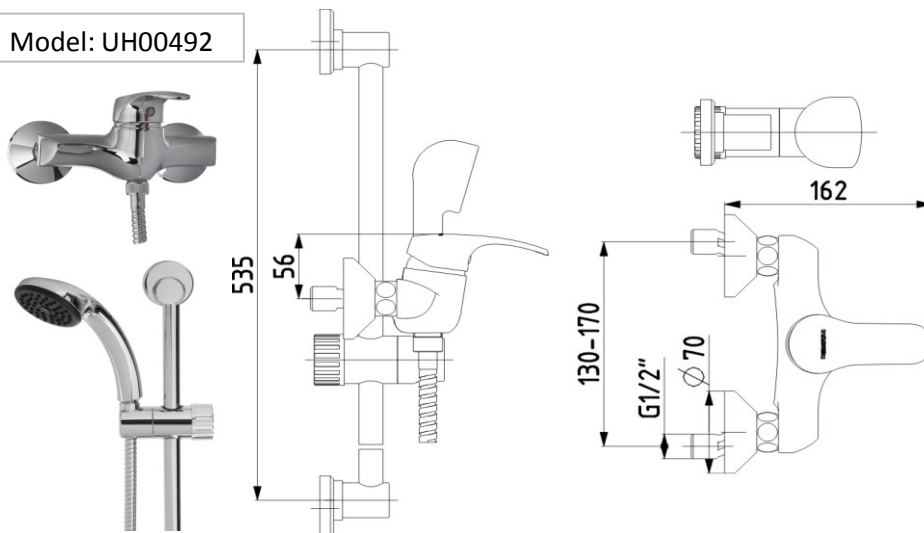
Harmony sanitary shower mixer

Datasheet for
UH00491, UH00492

Model: UH00491



Model: UH00492



Model: UH00491
Model: UH00492

Chrome	Material
Body: bras according to EN 12164, chrome plated (EN 248) Cartridge: ϕ 40 mm Handle: Zamak 410, chrome plated Sealing elements: rubber EPDM Shower hose: L=1500mm Check valve: DN 15	Construction
Wall connection: G1/2; eccentric union	Connections
Working pressure: 3 - 5 bar Maxi pressure: do 8 bar Min pressure: 0,5 bar Working temperature: 5°C - 65°C Max temperature: 90°C Min temperature: 5°C Flow: 23l/min; at pressure 3 bar	Working data
Sanitary mixers are intended for use in high pressure sanitary systems	Application
You have to wash out all pipes before assembling. Connect sanitary mixer and primary water pipe with eccentric system. Remove aerator and rotate mixer handle in all positions. Slowly open pipe valves and manipulate with mixer handle in all positions. Repairing and installation of sanitary mixers is allowed only by trained person. After assembling we advice to wash out mixer for an hour. We reocommend reducing water pressure to 5 bar with suitable pressure reducer.	Instruction for assembling
	We reserve the right to make modifications in line with progress in engineering.

Herz Armaturen GmbH

Richard-Strauss-str. 22
A-1232 Wien

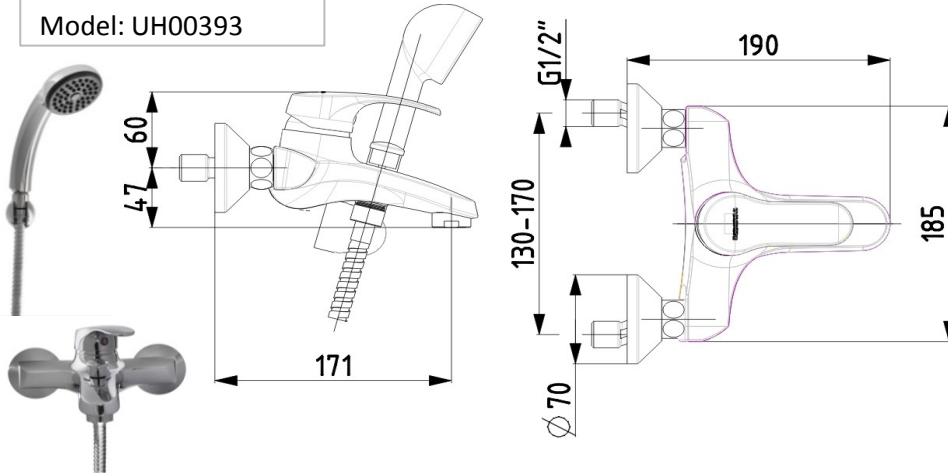
office@herz-armaturen.com
http://www.herz-armaturen.com



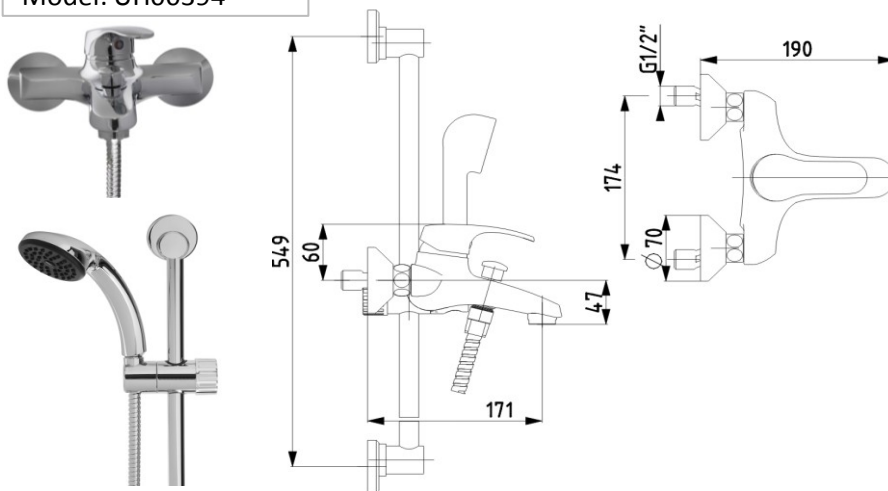
Harmony sanitary bath mixer

Datasheet for
UH00393, UH00394

Model: UH00393



Model: UH00394



Model: UH00393
Model: UH00394

Chrome

Material

Body: bras according to EN 12164, chrome plated (EN 248)
Cartridge: ϕ 40 mm
Handle: Zamak 410, chrome plated
Sealing elements: rubber EPDM
Shower hose: L=1500mm

Construction

Wall connection: G1/2; eccentric union

Connections

Working pressure: 3 - 5 bar
Maxi pressure: do 8 bar
Min pressure: 0,5 bar
Working temperature: 5°C - 65°C
Max temperature: 90°C
Min temperature: 5°C

Working data

Flow: 23l/min; at pressure 3 bar

Sanitary mixers are intended for use in high pressure sanitary systems

Application

You have to wash out all pipes before assembling. Connect sanitary mixer and primary water pipe with eccentric system. Remove aerator and rotate mixer handle in all positions. Slowly open pipe valves and manipulate with mixer handle in all positions. Repairing and installation of sanitary mixers is allowed only by trained person. After assembling we advice to wash out mixer for an hour. We recommend reducing water pressure to 5 bar with suitable pressure reducer.

Instruction for assembling

We reserve the right to make modifications in line with progress in engineering.

Herz Armaturen GmbH

Richard-Strauss-str. 22
A-1232 Wien

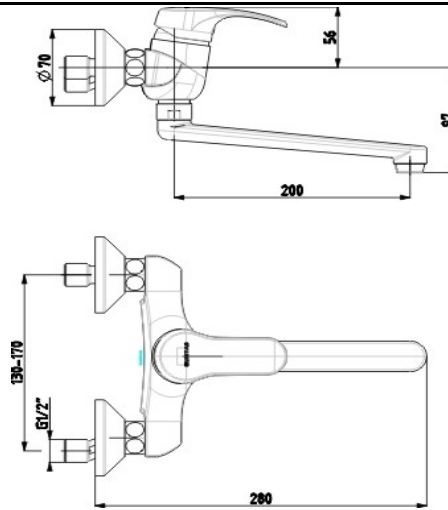
office@herz-armaturen.com
http://www.herz-armaturen.com



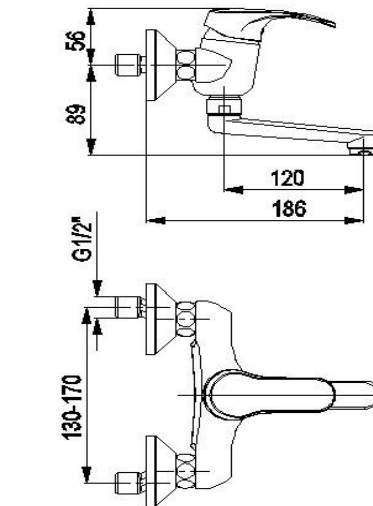
Harmony wall mount kitchen faucet

Datasheet for
UH00291, UH00292

Model: UH00291



Model: UH00292



Valid 1010



Model: UH00291
Model: UH00292

<p>Chrome</p>	<p>Material</p>
<p>Body: bras according to EN 12164, chrome plated (EN 248) Cartridge: ϕ 40 mm Handle: Zamak 410, chrome plated Sealing elements: rubber EPDM Outflow model UH00291: L = 200 mm Outflow model UH00292: L = 120 mm</p>	<p>Construction</p>
<p>Wall connection: G1/2; eccentric union</p>	<p>Connections</p>
<p>Working pressure: 3 - 5 bar Maxi pressure: do 8 bar Min pressure: 0,5 bar Working temperature: 5°C - 65°C Max temperature: 90°C Min temperature: 5°C Flow: 23l/min; at pressure 3 bar</p>	<p>Working data</p>
<p>Sanitary mixers are intended for use in high pressure sanitary systems</p>	<p>Application</p>
<p>You have to wash out all pipes before assembling. Connect sanitary mixer and primary water pipe with eccentric system. Remove aerator and rotate mixer handle in all positions. Slowly open pipe valves and manipulate with mixer handle in all positions. Repairing and installation of sanitary mixers is allowed only by trained person. After assembling we advice to wash out mixer for an hour. We reoccommend reducing water pressure to 5 bar with suitable pressure reducer.</p>	<p>Instruction for assembling</p>
	<p>We reserve the right to make modifications in line with progress in engineering.</p>

Herz Armaturen GmbH

Richard-Strauss-str. 22
A-1232 Wien

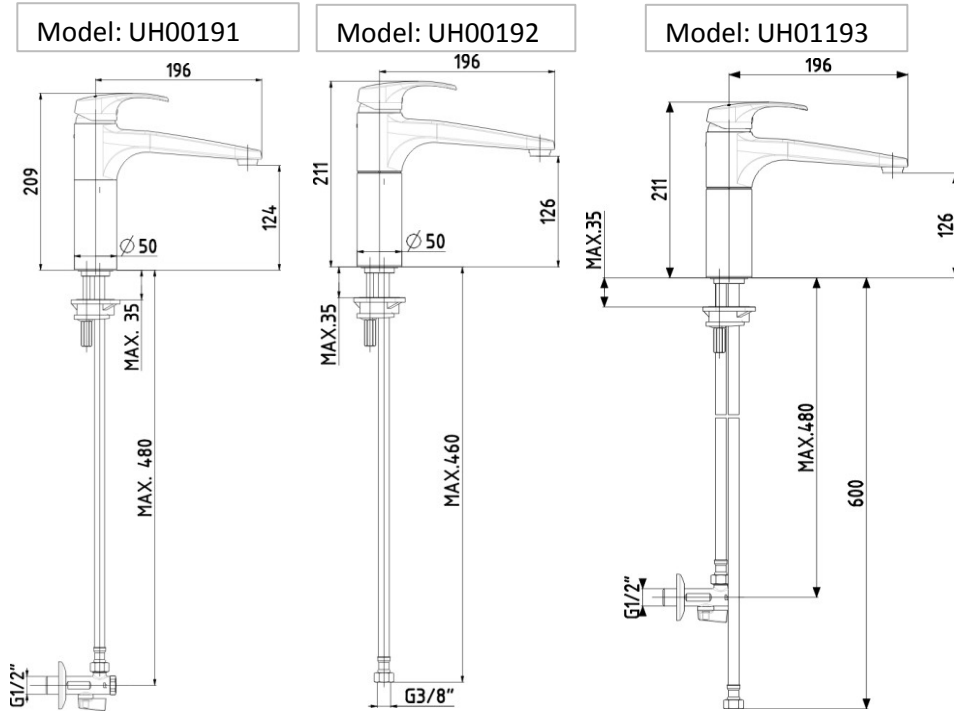
office@herz-armaturen.com
http://www.herz-armaturen.com



Harmony kitchen mixer

Datasheet for
UH00191, UH00192, UH01193

Valid 1010



Model: UH00191
Model: UH00192
Model: UH01193

Chrome	Material
Body: bras according to EN 12164, chrome plated (EN 248) Cartridge: ϕ 40 mm Handle: Zamak 410, chrome plated Sealing elements: rubber EPDM Aerator: M24X1	Construction
Connection (model UH01193): 1x flex. connection hose G3/8x600(+angle valve), 2x G3/8x750 Conn.(mod. UH00191, UH00192): flexible connection hoses G3/8x600 (2x)	Connections
Working pressure: 3 - 5 bar Maxi pressure: do 8 bar Min pressure (model UH01193): 1 bar Min pressure(UH00191,UH00192): 0,5 bar Working temperature: 5°C - 65°C Max temperature: 90°C Min temperature: 5°C Flow: 12l/min; at pressure 3 bar	Working data
Sanitary mixers are intended for use in high pressure sanitary systems(except model UH01193)	Application
You have to wash out all pipes before assembling. Connect sanitary mixer and primary water pipe with eccentric system. Remove aerator and rotate mixer handle in all positions. Slowly open pipe valves and manipulate with mixer handle in all positions. Repairing and installation of sanitary mixers is allowed only by trained person. After assembling we advice to wash out mixer for an hour. We recommend reducing water pressure to 5 bar with suitable pressure reducer. Model UH01193: SUITABLE FOR OPEN WATER HEATERS - UNDER COUNTER INSTALATION DO NOT MIX THE CONNECTION HOSES ON OPEN NONE PRESSURISED ELECTRICAL WATER HEATER!	Instruction for assembling
	We reserve the right to make modifications in line with progress in engineering.

Herz Armaturen GmbH

Richard-Strauss-str. 22
A-1232 Wien

office@herz-armaturen.com
http://www.herz-armaturen.com



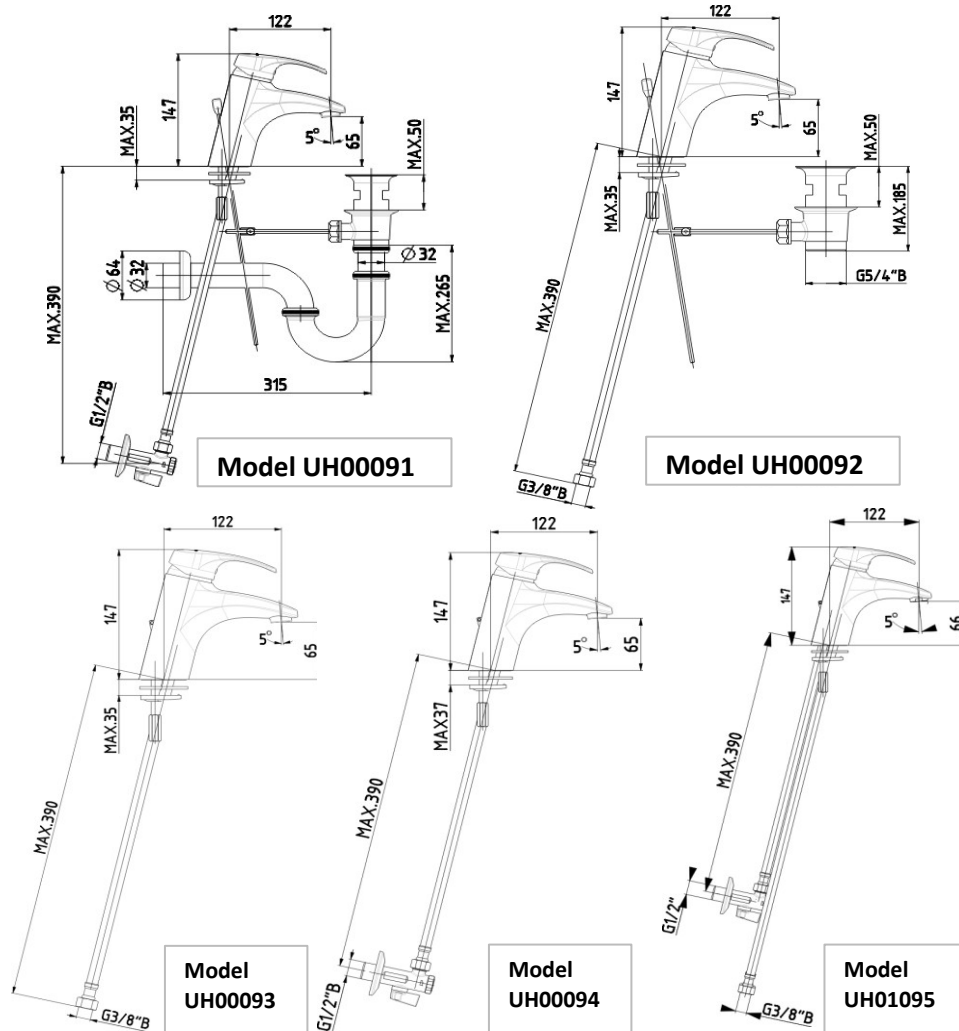
Harmony Basin Mixers

Datasheet for
UH00091, UH00092, UH00093,
UH00094, UH01095

Valid 0810



Model UH00091
Model UH00092
Model UH00093
Model UH00094
Model UH01095



Chrome

Material

Body: brass according to EN 12164, chrome plated (EN 248)
Cartridge: ϕ 40 mm
Handle: Zamak 410, chrome plated
Sealing elements: rubber EPDM
Aerator: M24x1

Construction

Connection (all models): Flexible connection hose for domestic tap fitting G3/8x450
Connection (only UH01095): Flexible connection hose G3/8x600 (2x)
Connection (only UH00091): Angle valve with grid G1/2

Connections

Working pressure: 3 - 5 bar
Maxi pressure: do 8 bar
Min pressure: 0,5 bar
Working temperature: 5°C - 65°C
Max temperature: 90°C
Min temperature: 5°C

Recommendable pressure

Temperature range

Flow: 12 l/min at pressure 3 bar

Flow

Sanitary mixers are intended for use in high pressure sanitary systems **(except model UH01095)**

Application

You have to wash out all pipes before assembling. Connect sanitary mixer and primary water pipe with eccentric system. Remove aerator and rotate mixer handle in all positions. Slowly open pipe valves and manipulate with mixer handle in all positions. Repairing and installation of sanitary mixers is allowed only by trained person. After assembling we advice to wash out mixer for an hour. We recommend reducing water pressure to 5 bar with suitable pressure reducer.

Instruction for assembling and maintenance

Model UH01095: SUITABLE FOR OPEN WATER HEATERS - UNDER COUNTER INSTALATION! DO NOT MIX THE CONNECTION HOSES ON OPEN NONE PRESSURISED ELECTRICAL WATER HEATER!

We reserve the right to make modifications in line with progress in engineering.

Herz Armaturen GmbH

Richard-Strauss-str. 22

office@herz-armaturen.com

A-1232 Wien

http://www.herz-armaturen.com

FR, NB_00091_92_93_94_1095_ANG

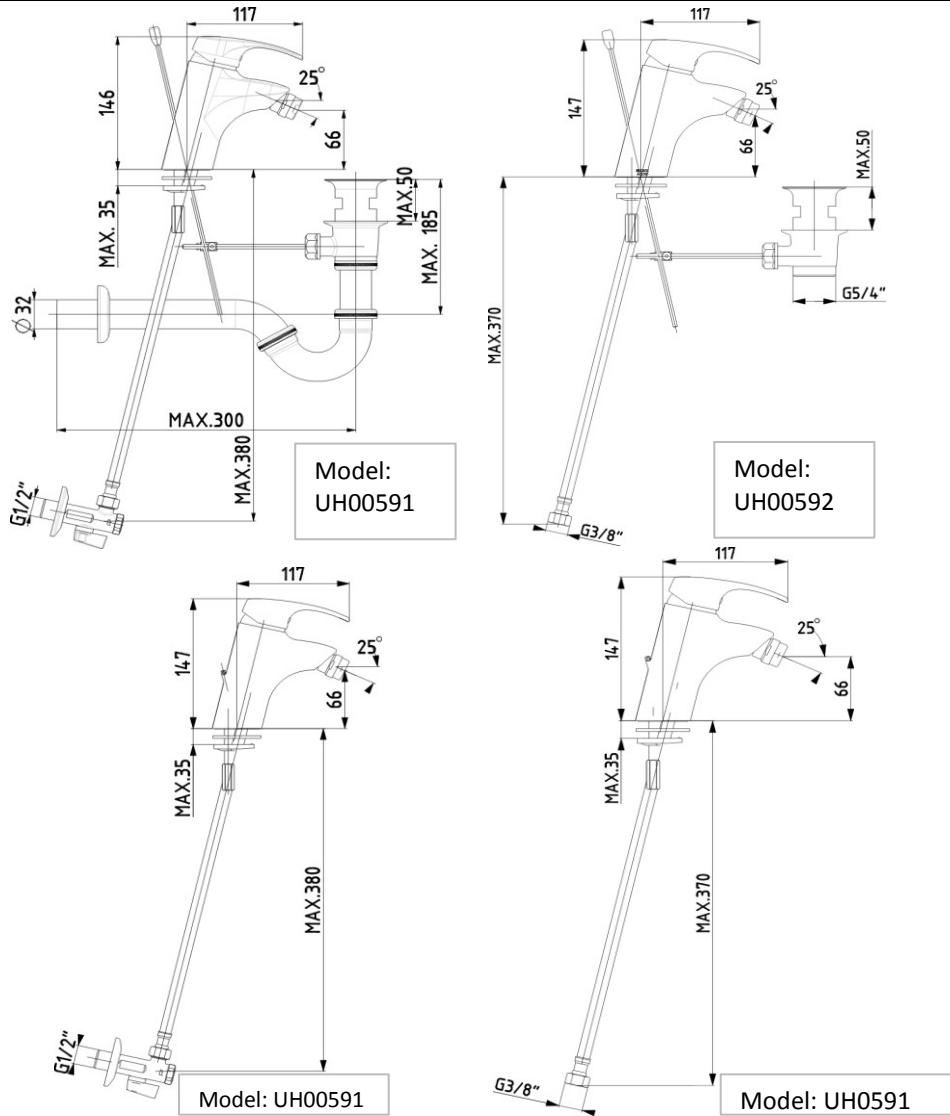
Harmony Bidet Mixer

Datasheet for
UH00591, UH00592, UH00593,
UH00594

Valid through 2011



Model: UH00591
Model: UH00592
Model: UH00593
Model: UH00594



Chrome	Material
Body : bras according to EN 12164, chrome plated (EN 248) Cartridge: ϕ 40 mm Handle: Zamak 410, chrome plated Sealing elements: rubber EPDM Aerator M24x1	Construction
Connection: Flexible connection hose for domestic tap fitting G3/8x450 Connection: Angle valve with grid G1/2 (only models UH00591, UH00593)	Connections
Working pressure: 3 - 5 bar Max pressure: do 8 bar Min pressure: 0,5 bar Working temperature: 5°C - 65°C Max temperature: 90°C Min temperature: 5°C Flow: 12 l/min; at pressure 3 bar	Working data
Sanitary mixers are intended for use in high pressure sanitary systems. All water pipes need to be washed thoroughly before installation of sanitary mixer. Connect sanitary mixer and primary water pipe with flexible hose. Remove aerator and rotate mixer handle in totally open position. Slowly open pipe valves and manipulate with mixer handle in all positions. Installing and repairing the sanitary mixer is allowed only by trained person. After assembling we advice to wash out mixer for an our. We recommended to reduce water pressure over 5 bar with suitable pressure reducer.	Application Instruction for assembling and maintenance We reserve the right to make modifications in line with progress in engineering.

Herz Armaturen GmbH

Richard-Strauss-str. 22
A-1232 Wien

office@herz-armaturen.com
http://www.herz-armaturen.com

