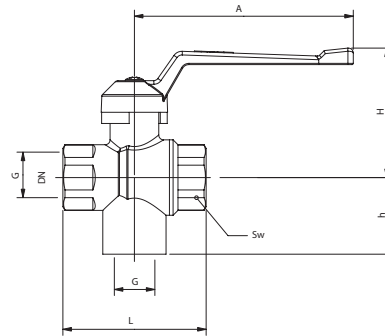


HERZ Ball Valve three way isolation with duraluminium handle

Datasheet
2412
Issue 0508



Model	Dim.	PN	DN	G	L	H	A	Sw
1 2412 01	1,2"	40	15	1/2"	59	52	90	25

Dimensions

Body:	forged brass acc. EN 12420, nickel plated
End connection:	forged brass, nickel plated
Ball:	pressed brass, full bore, machined to a microsmooth finish, chrome plated
Spindle:	brass
T handle:	Aluminium alloy, plastic red dipped
Sealing elements:	PTFE- polytetrafluorethylene (ball and spindle)
Conections:	female thread acc. ISO228

Construction

Maximum pressure:	40 (bar)
Maximum temperature:	150 °C (5 bar, water 0.5°C-110 °C, no steam)

Operating data

The ball valve is used in installations as an isolation valve. For use in the central heating systems, energy systems, construction engineering and mechanical engineering. Generally can be used with all non aggressive fluids such as hot water, wash liquids, dry compressed air. For use where one expects durability even if the working conditions are exceeded.

Application

Herz recommend the use of PTFE, Teflon ribbon or sealing paste to seal the connection between the pipe and the valve. Screw the pipe into the valve with a suitable assembly tool (Sw) do not exceed the maximum torque. Flow direction is defined by handle direction. We recommend the valve in used in the index position, not in a mid position. The ball valve does not need special maintenance. At least twice per year exercise the valve.

Assembly and maintenance

We reserve the right to make modifications necessitated by technical progress.

Suitable for heating systems to protect boilers against increased pressure. Protects installations against pressure higher than PN. Relief pressure is equal PN. Generally can be used with every non aggressive fluids such as hot water, compressed air, fuel, lubricating oil. . .

Application

All details contained in this brochure appertain to that available at the time of printing and serve as information. We reserve the right to make changes in the event of technical advancements. The illustrations are understood to be symbolic representations and may therefore vary visually from the actual products. Any colour variations are dependent upon the printing technology used. Products may also vary according to the country. We reserve the right to make changes to technical specifications and functions. Please contact your nearest branch of HERZ with any questions.